

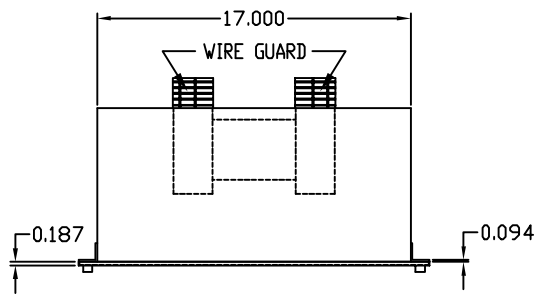
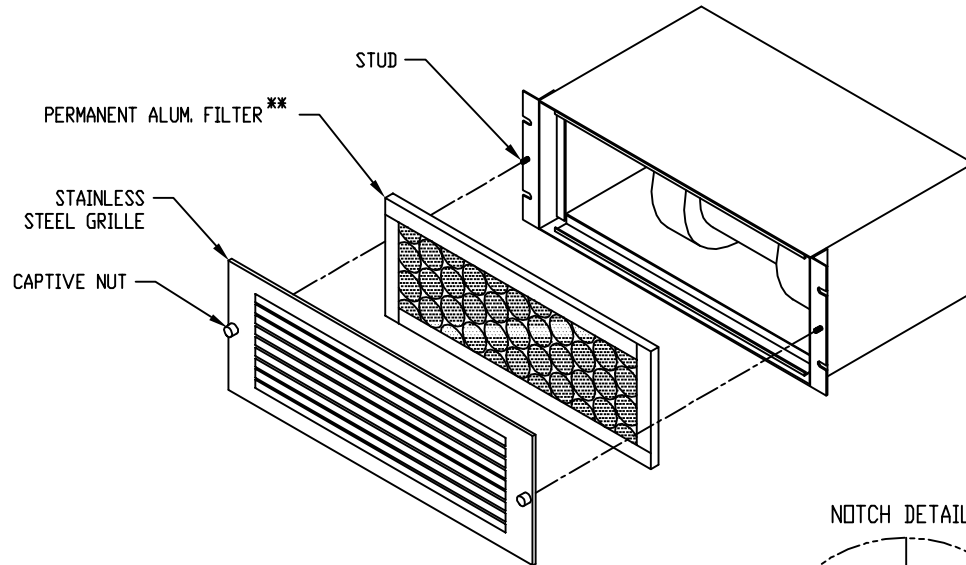
PART NAME

BLOWER

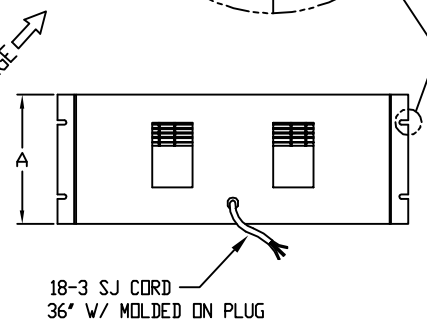
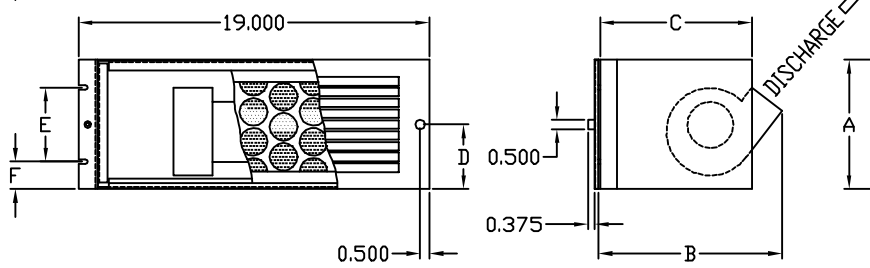
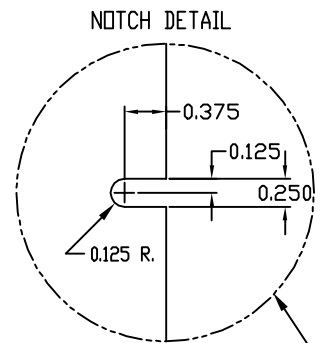
PART No.

B-60

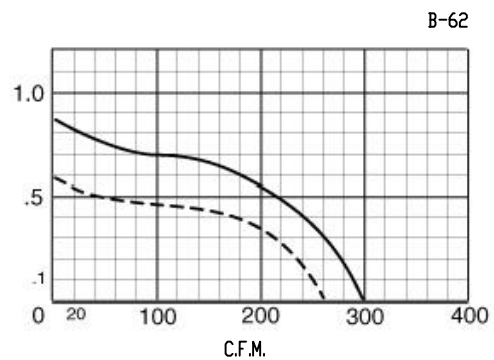
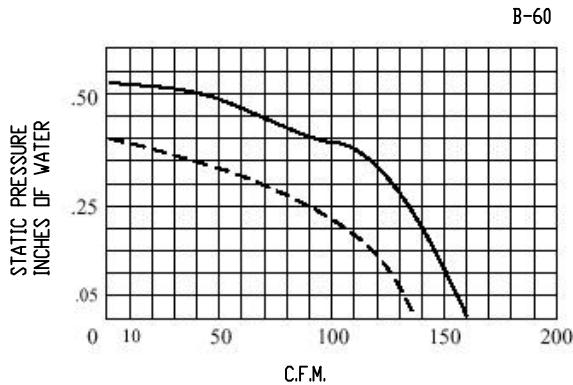
B-62



B-60 SHOWN



AIR DISPLACEMENT:



** USE FR-68 FILTER RECONDITIONER AFTER WASHING FILTER

* NOMINAL AIR FLOW AT 'D' STATIC PRESSURE

| PART NO. | A | B | C | D | E | F | POWER | C.F.M. * 60 HZ | R.P.M. | WATTS | FILTER ** |
|----------|------|-------|------|------|------|------|---------|-------------------|--------|-------|-----------|
| B-60 | 3.50 | 10.50 | 8.75 | 1.75 | 3.00 | 0.25 | 115 VAC | 160 | 1500 | 90 | BF-61 |
| B-62 | 5.25 | 7.69 | 6.25 | 2.63 | 2.25 | 1.50 | | 300 | 3000 | 95 | BF-63 |